

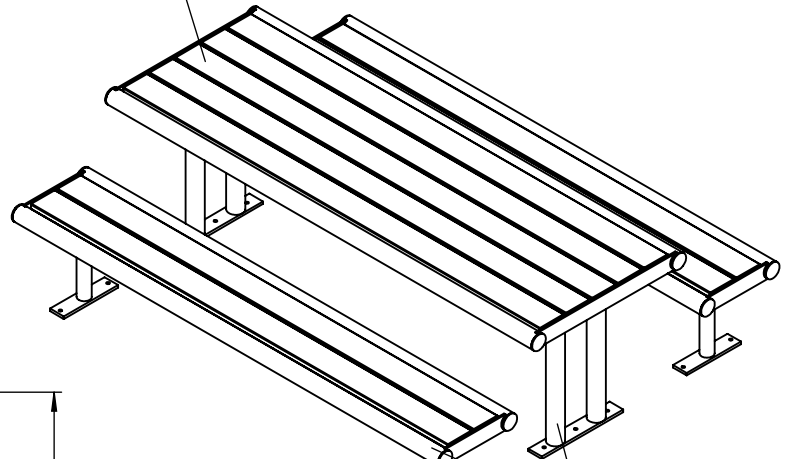


THOMAS STEELE DIVISION

GRABER MANUFACTURING, INC.
1080 UNIEK DRIVE
WAUNAKEE, WI 53597

P(800) 448-7931, P(608) 849-1080, F(608) 849-1081
WWW.MADRAX.COM, E-MAIL: SALES@MADRAX.COM

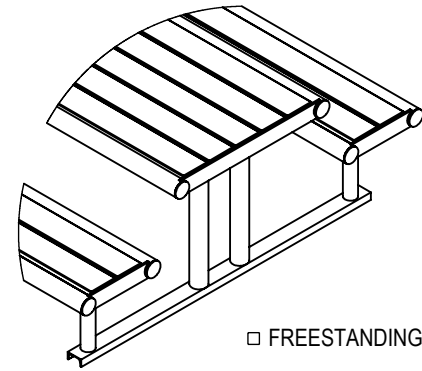
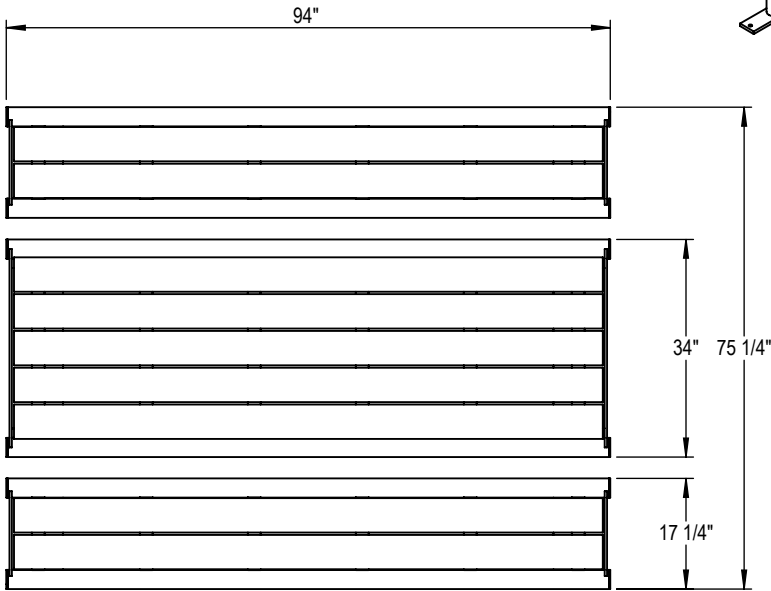
1"X6" IPE OR RECYCLED PLASTIC



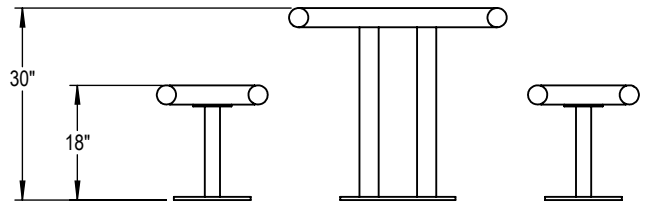
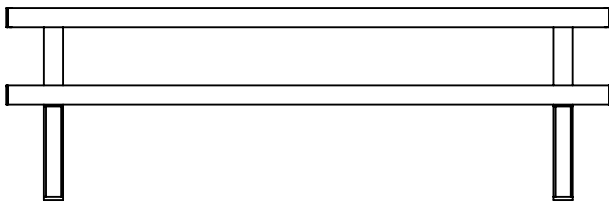
2 3/8" OD TUBING

3" OD TUBING

1/2 X 3 X 12" FLAT BAR
WITH Ø9/16" MOUNTING HOLES



□ FREESTANDING OPTION



PRODUCT: ANTP-8 SET
DESCRIPTION: ANTHEM PICNIC TABLE SET, 8 FT

DATE: 9-2-16
ENG: SMC

CONFIDENTIAL DRAWING AND INFORMATION IS NOT TO BE COPIED OR DISCLOSED TO OTHERS WITHOUT THE CONSENT OF GRABER MANUFACTURING, INC. SPECIFICATIONS ARE SUBJECT TO CHANGE WITHOUT NOTICE.

ALL FASTENERS ARE STAINLESS STEEL
SOME ASSEMBLY REQUIRED

SITE FURNISHING IS POWDER COATED WITH TGIC POLYESTER. STEEL SURFACE PREP INCLUDES MECHANICAL AND CHEMICAL ETCHING FOLLOWED WITH A COATING TO IMPROVE ADHESION AND CORROSION RESISTANCE.