

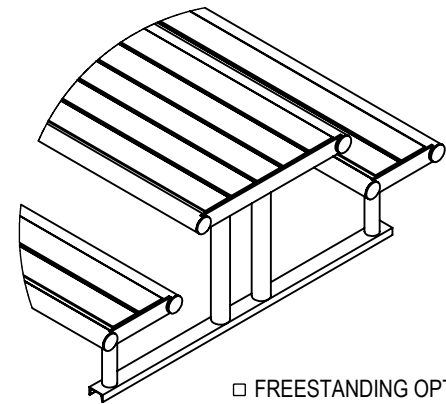
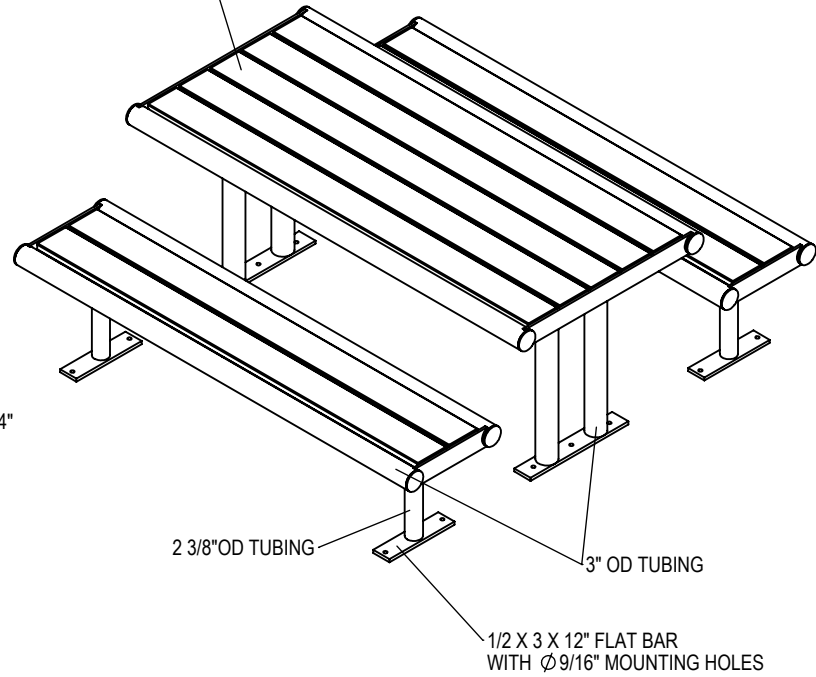
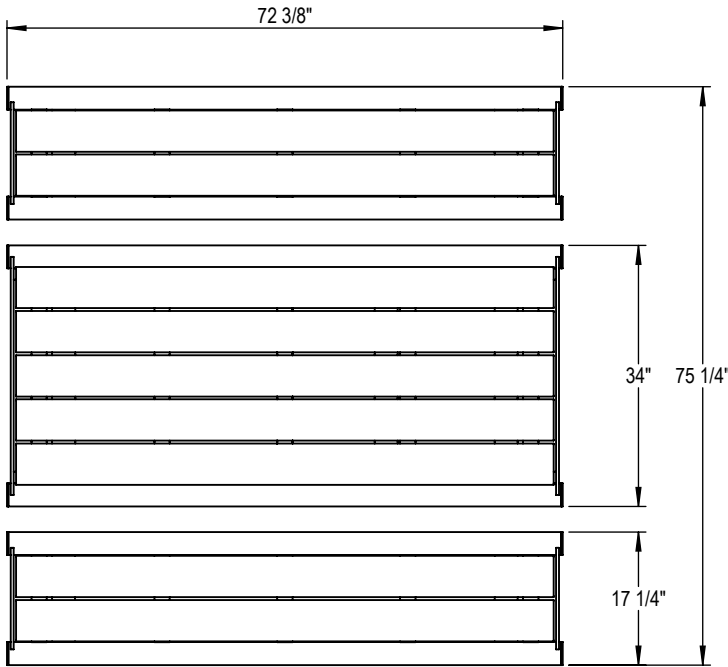


THOMAS STEELE DIVISION

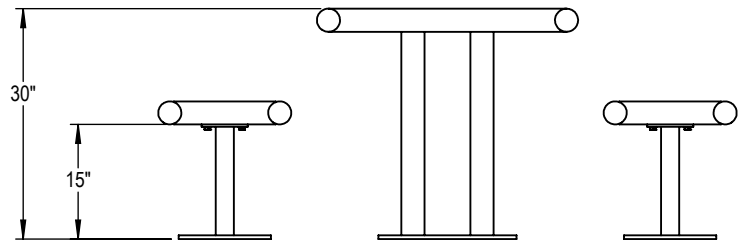
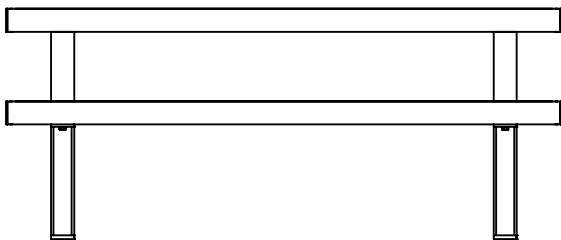
GRABER MANUFACTURING, INC.  
1080 UNIEK DRIVE  
WAUNAKEE, WI 53597

P(800) 448-7931, P(608) 849-1080, F(608) 849-1081  
WWW.MADRAX.COM, E-MAIL: SALES@MADRAX.COM

1"X6" IPE OR RECYCLED PLASTIC



□ FREESTANDING OPTION



PRODUCT: ANTP-6 SET  
DESCRIPTION: ANTHEM PICNIC TABLE SET, 6 FT

DATE: 9-2-16  
ENG: SMC

CONFIDENTIAL DRAWING AND INFORMATION IS NOT TO BE COPIED OR DISCLOSED TO OTHERS WITHOUT THE CONSENT OF GRABER MANUFACTURING, INC. SPECIFICATIONS ARE SUBJECT TO CHANGE WITHOUT NOTICE.

ALL FASTENERS ARE STAINLESS STEEL  
SOME ASSEMBLY REQUIRED

SITE FURNISHING IS POWDER COATED WITH TGIC POLYESTER. STEEL SURFACE PREP INCLUDES MECHANICAL AND CHEMICAL ETCHING FOLLOWED WITH A COATING TO IMPROVE ADHESION AND CORROSION RESISTANCE.