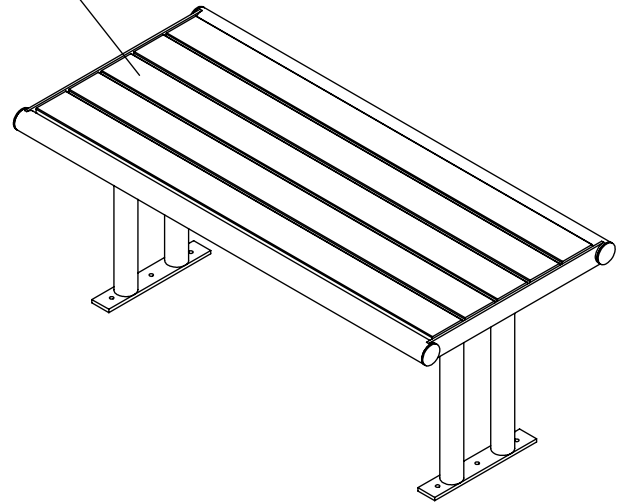


1"X6" IPE OR RECYCLED PLASTIC



OPTIONAL TABLE LENGTHS

- ANTP-6 72"
- ANTP-8 94"

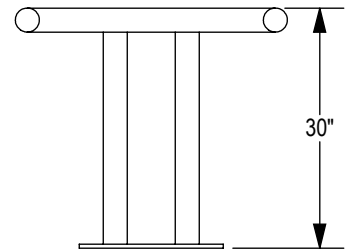
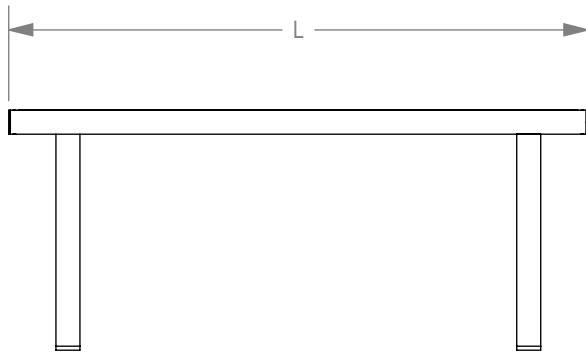
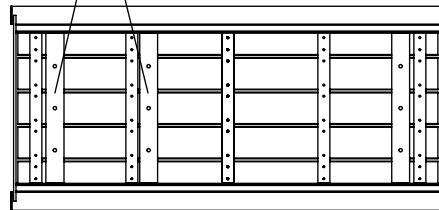


TABLE HAS TWO LEG POSITIONS



PRODUCT: ANTP-L  
 DESCRIPTION: ANTHEM TABLE

DATE: 2-4-14  
 ENG: SMC

CONFIDENTIAL DRAWING AND INFORMATION IS NOT TO BE COPIED OR DISCLOSED TO OTHERS WITHOUT THE CONSENT OF GRABER MANUFACTURING, INC. SPECIFICATIONS ARE SUBJECT TO CHANGE WITHOUT NOTICE.

ALL FASTENERS ARE STAINLESS STEEL  
 SOME ASSEMBLY REQUIRED

SITE FURNISHING IS POWDER COATED WITH TGIC POLYESTER. STEEL SURFACE PREP INCLUDES MECHANICAL AND CHEMICAL ETCHING FOLLOWED WITH A COATING TO IMPROVE ADHESION AND CORROSION RESISTANCE.