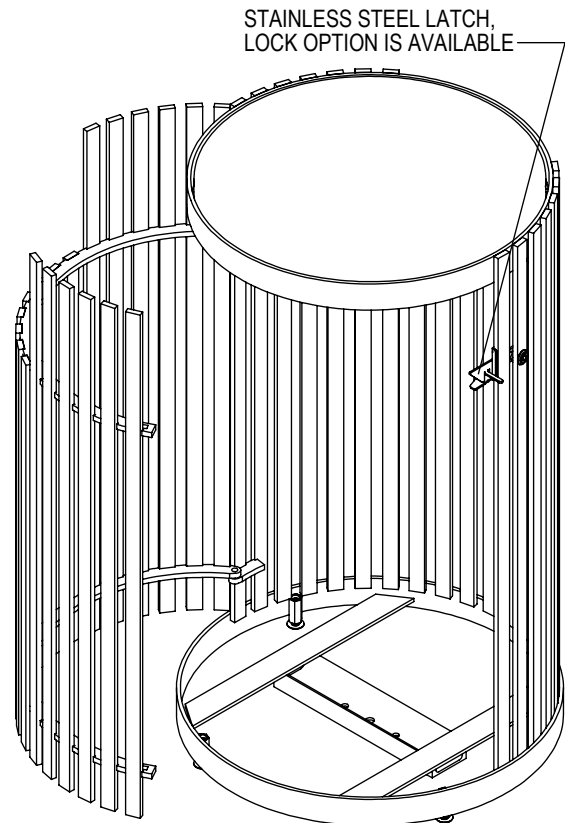
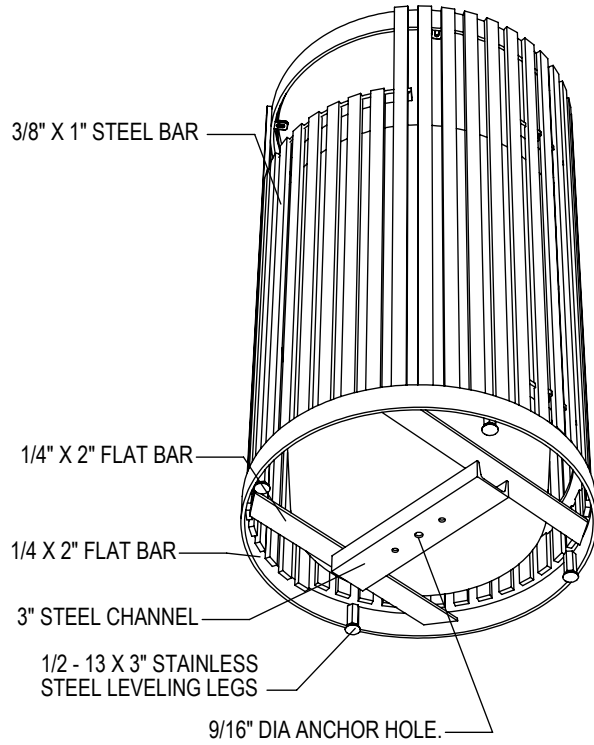
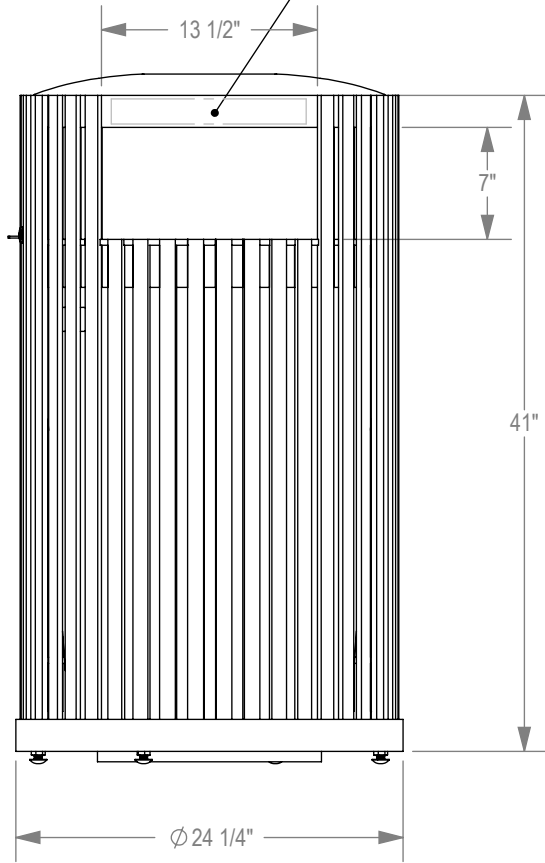


LABEL LOCATION
 BOTH SIDES
 TRASH
 RECYCLE
 (Other)



DOOR OPEN

PRODUCT: CHTR-32D-SO
DESCRIPTION: CHANDLER SIDE OPENING TRASH RECEPTACLE 32 GAL., DOOR

DATE: 6-19-14
ENG: SMC

CONFIDENTIAL DRAWING AND INFORMATION IS NOT TO BE COPIED OR DISCLOSED TO OTHERS WITHOUT THE CONSENT OF GRABER MANUFACTURING, INC. SPECIFICATIONS ARE SUBJECT TO CHANGE WITHOUT NOTICE.

©2014 GRABER MANUFACTURING, INC. ALL PROPRIETARY RIGHTS RESERVED.

SITE FURNISHING IS POWDER COATED WITH TGIC POLYESTER. STEEL SURFACE PREP INCLUDES MECHANICAL AND CHEMICAL ETCHING FOLLOWED WITH A COATING TO IMPROVE ADHESION AND CORROSION RESISTANCE.