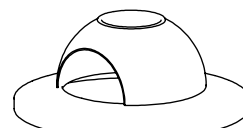
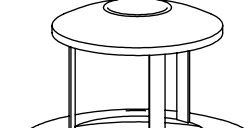
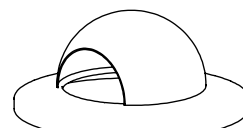


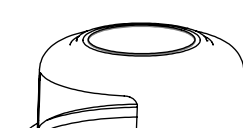

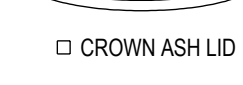

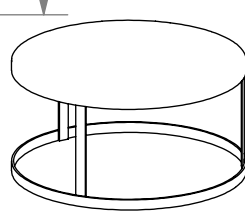


LID OPTIONS

-   ASH DOME LID
-   ELEVATED ASH DOME LID
-   DOME LID
-   ELEVATED DOME LID
-   FLAT LID
-   CROWN ASH LID
-   CROWN LID
-   FLAT RECYCLE LID
-   RECYCLE CROWN LID
-   LARGE ELEVATED LID

PRODUCT: CHTR-32  
 DESCRIPTION: CHANDLER TRASH RECEPTACLE, 32 GAL.

DATE: 11-3-15  
 ENG: SMC

CONFIDENTIAL DRAWING AND INFORMATION IS NOT TO BE COPIED OR DISCLOSED TO OTHERS WITHOUT THE CONSENT OF GRABER MANUFACTURING, INC. SPECIFICATIONS ARE SUBJECT TO CHANGE WITHOUT NOTICE.

SITE FURNISHING IS POWDER COATED WITH TGIC POLYESTER. STEEL SURFACE PREP INCLUDES MECHANICAL AND CHEMICAL ETCHING FOLLOWED WITH A COATING TO IMPROVE ADHESION AND CORROSION RESISTANCE.