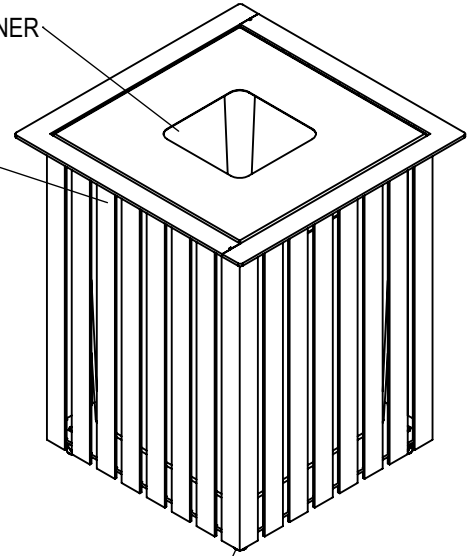


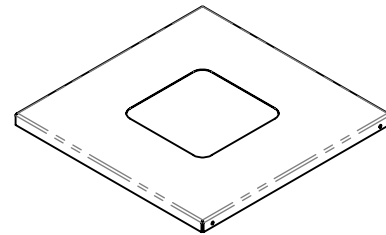
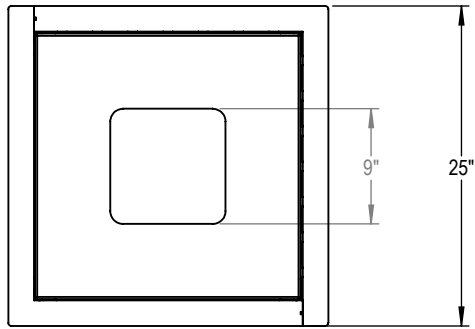


HEAVY DUTY SQUARE LINER

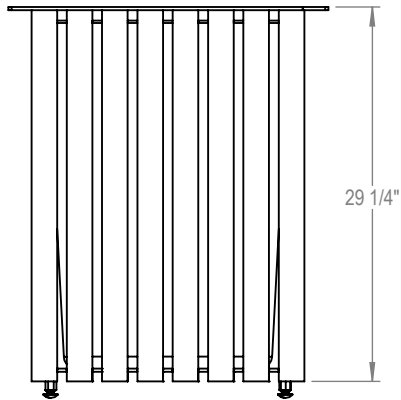
ALL WELDED STEEL CONSTRUCTION



STAINLESS STEEL LEVELING FEET



□ FLAT SQUARE LID



PRODUCT: ACTR-32
DESCRIPTION: ARCADIA WASTE RECEPTACLE,
32 GALLON

DATE: 3/3/2015
ENG: BLW

CONFIDENTIAL DRAWING AND INFORMATION IS NOT TO BE COPIED OR DISCLOSED
TO OTHERS WITHOUT THE CONSENT OF GRABER MANUFACTURING, INC.
SPECIFICATIONS ARE SUBJECT TO CHANGE WITHOUT NOTICE.

SITE FURNISHING IS POWDER COATED WITH TGIC POLYESTER.
STEEL SURFACE PREP INCLUDES MECHANICAL AND CHEMICAL
ETCHING FOLLOWED WITH A COATING TO IMPROVE ADHESION
AND CORROSION RESISTANCE.