



THOMAS STEELE DIVISION

GRABER MANUFACTURING, INC.

1080 UNIEK DRIVE

WAUNAKEE, WI 53597

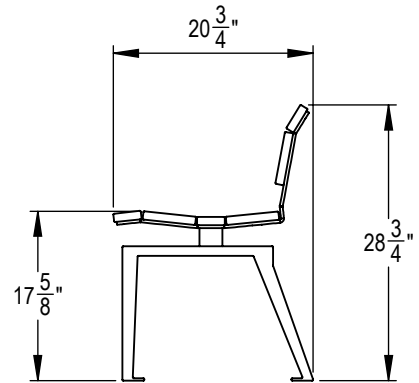
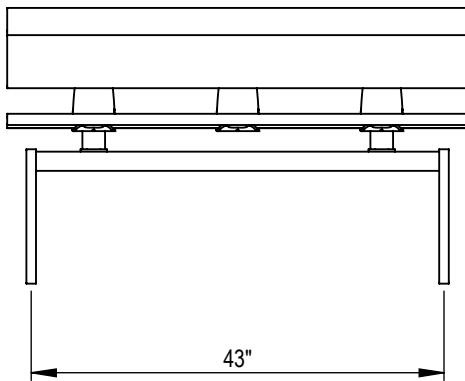
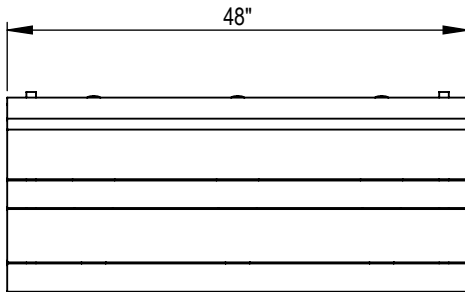
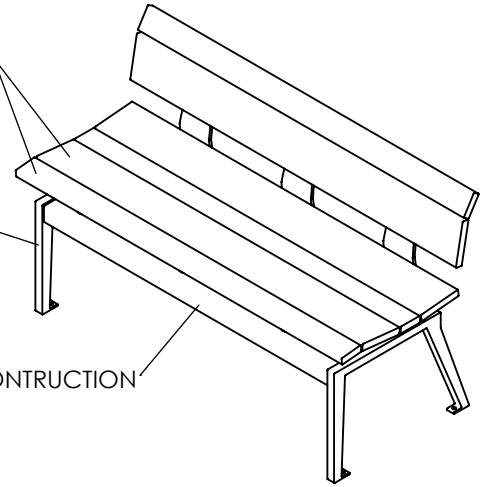
P(800) 448-7931, P(608) 849-1080, F(608) 849-1081

WWW.MADRAX.COM, E-MAIL: SALES@MADRAX.COM

WOOD PROFILES 1" X 6" AND 1" X 3"

STEEL PLATE END FRAME

BASE IS ALL WELDED CONSTRUCTION



PRODUCT: LOB-4-WI  
DESCRIPTION: LOFTY BENCH, 4 FOOT BACKED WITH IPE WOOD

ENG: BLW  
DATE: 6-16-2015

ALL FASTENERS ARE STAINLESS STEEL.

CONFIDENTIAL DRAWING AND INFORMATION IS NOT TO BE COPIED OR DISCLOSED TO OTHERS WITHOUT THE CONSENT OF GRABER MANUFACTURING, INC. SPECIFICATIONS ARE SUBJECT TO CHANGE WITHOUT NOTICE.

SITE FURNISHING IS POWDER COATED WITH TGIC POLYESTER. STEEL SURFACE PREP INCLUDES MECHANICAL AND CHEMICAL ETCHING FOLLOWED WITH A COATING TO IMPROVE ADHESION AND CORROSION RESISTANCE.

©2015 GRABER MANUFACTURING, INC. ALL PROPRIETARY RIGHTS RESERVED.