



THOMAS STEELE DIVISION
 GRABER MANUFACTURING, INC.
 1080 UNIEK DRIVE
 WAUNAKEE, WI 53597
 P(800) 448-7931, P(608) 849-1080, F(608) 849-1081
 WWW.MADRAX.COM, E-MAIL: SALES@MADRAX.COM

ALL WELDED STEEL CONSTRUCTION

1 1/2" SQUARE STEEL TUBING

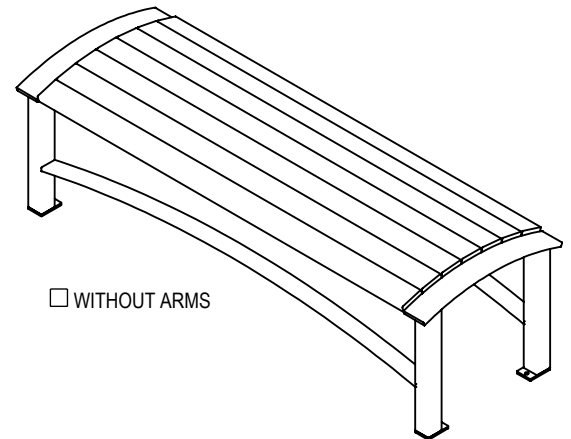
1/2" X 3" STEEL BAR

RECYCLED PLASTIC OR IPE

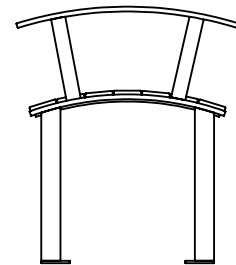
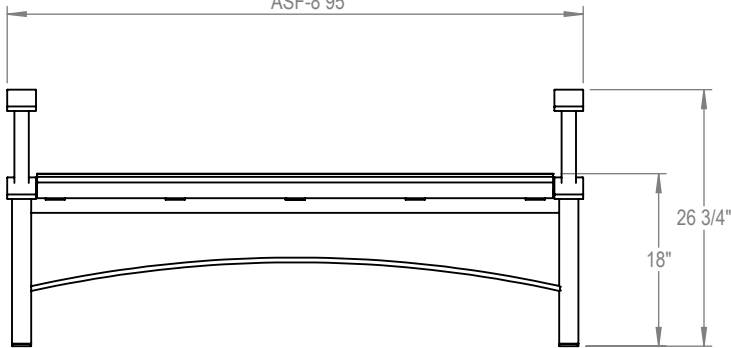
1/2 X 2" STEEL BAR

WITH ARMS

2" SQUARE STEEL TUBING



ASF-4 50"
 ASF-5 60"
 ASF-6 71"
 ASF-8 95"



PRODUCT: ASF-4, ASF-5, ASF-6, ASF-8
 DESCRIPTION: ASHTON FLAT BENCH 4, 5, 6, 8 FT

DATE: 9-16-14
 ENG: SMC

CONFIDENTIAL DRAWING AND INFORMATION IS NOT TO BE COPIED OR DISCLOSED TO OTHERS WITHOUT THE CONSENT OF GRABER MANUFACTURING, INC. SPECIFICATIONS ARE SUBJECT TO CHANGE WITHOUT NOTICE.

SITE FURNISHING IS POWDER COATED WITH TGIC POLYESTER. STEEL SURFACE PREP INCLUDES MECHANICAL AND CHEMICAL ETCHING FOLLOWED WITH A COATING TO IMPROVE ADHESION AND CORROSION RESISTANCE.

©2014 GRABER MANUFACTURING, INC. ALL PROPRIETARY RIGHTS RESERVED.