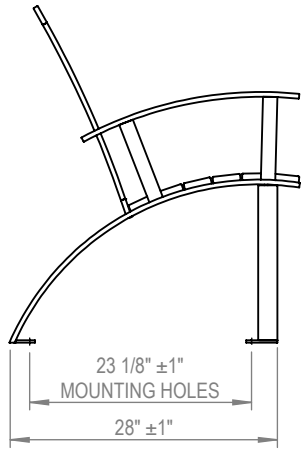
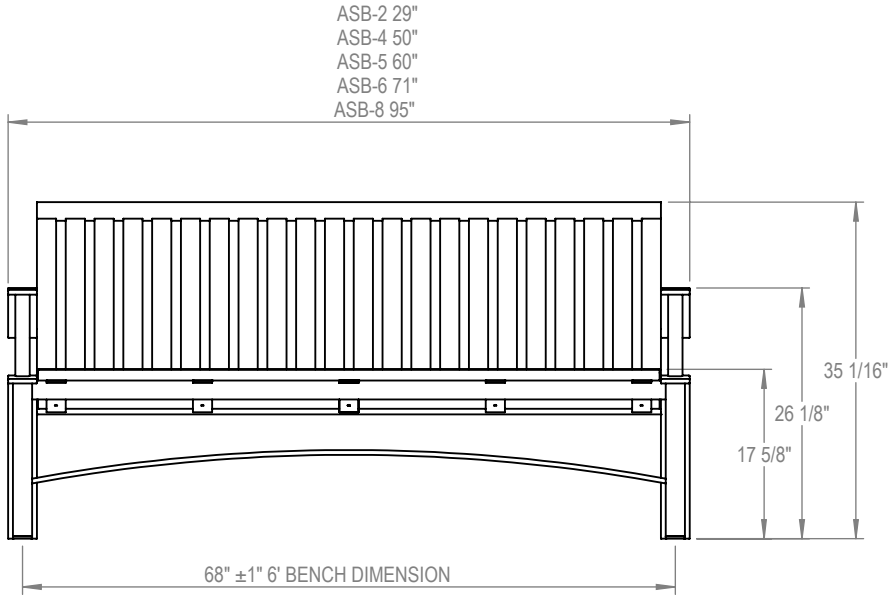
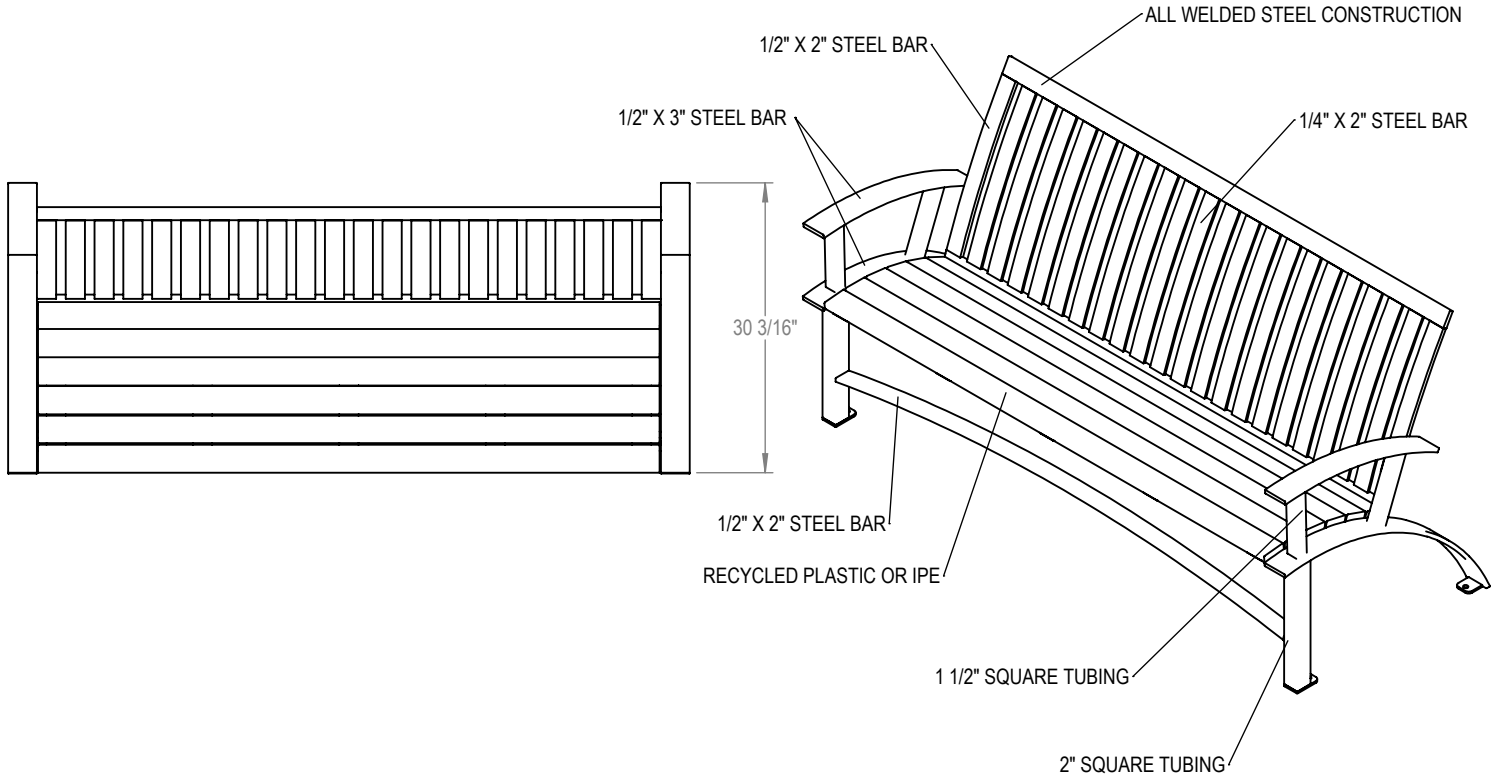




THOMAS STEELE DIVISION  
 GRABER MANUFACTURING, INC.  
 1080 UNIEK DRIVE  
 WAUNAKEE, WI 53597  
 P(800) 448-7931, P(608) 849-1080, F(608) 849-1081  
 WWW.MADRAX.COM, E-MAIL: SALES@MADRAX.COM



PRODUCT: ASB-2, ASB-4, ASB-5, ASB-6, ASB-8,  
 DESCRIPTION: ASHTON BENCH 2, 4, 5, 6, 8 FT

DATE: 11-9-12  
 ENG: BW

CONFIDENTIAL DRAWING AND INFORMATION IS NOT TO BE COPIED OR DISCLOSED  
 TO OTHERS WITHOUT THE CONSENT OF GRABER MANUFACTURING, INC.  
 SPECIFICATIONS ARE SUBJECT TO CHANGE WITHOUT NOTICE.

SITE FURNISHING IS POWDER COATED WITH TGIC POLYESTER.  
 STEEL SURFACE PREP INCLUDES MECHANICAL AND CHEMICAL  
 ETCHING FOLLOWED WITH A COATING TO IMPROVE ADHESION  
 AND CORROSION RESISTANCE.