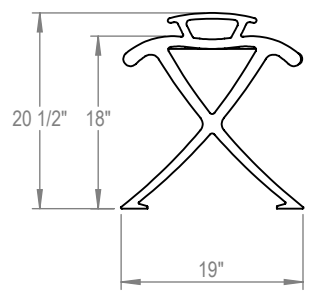
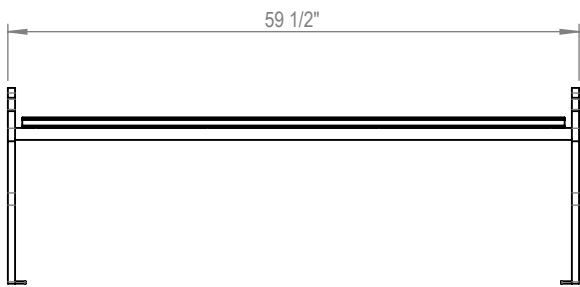
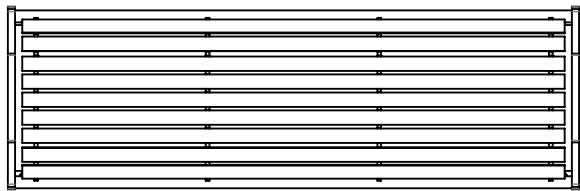
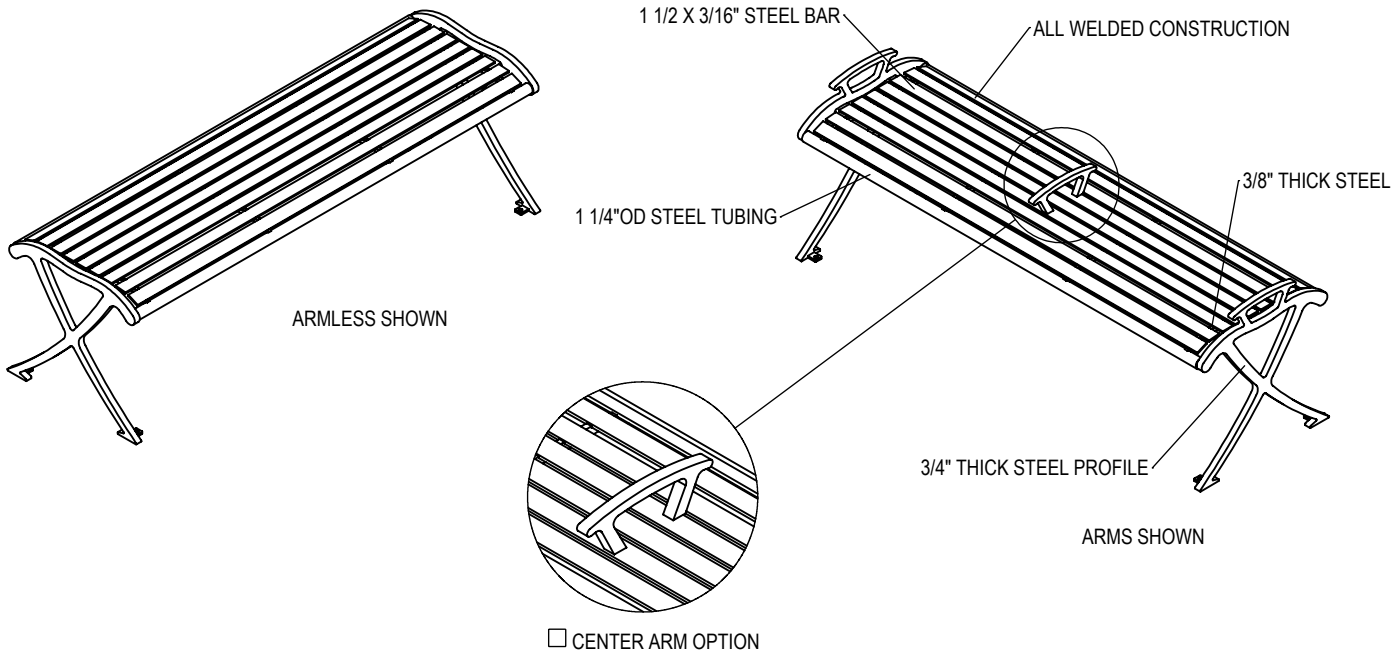




THOMAS STEELE DIVISION  
 GRABER MANUFACTURING, INC.  
 1080 UNIEK DRIVE  
 WAUNAKEE, WI 53597  
 P(800) 448-7931, P(608) 849-1080, F(608) 849-1081  
 WWW.MADRAX.COM, E-MAIL: SALES@MADRAX.COM



PRODUCT: ARF-4-HS  
 DESCRIPTION: AURORA FLAT BENCH, 4 FOOT LONG, HORIZONTAL STRAP

DATE: 10-22-2014  
 ENG: BLW

CONFIDENTIAL DRAWING AND INFORMATION IS NOT TO BE COPIED OR DISCLOSED TO OTHERS WITHOUT THE CONSENT OF GRABER MANUFACTURING, INC. SPECIFICATIONS ARE SUBJECT TO CHANGE WITHOUT NOTICE.

SITE FURNISHING IS POWDER COATED WITH TGIC POLYESTER. STEEL SURFACE PREP INCLUDES MECHANICAL AND CHEMICAL ETCHING FOLLOWED WITH A COATING TO IMPROVE ADHESION AND CORROSION RESISTANCE.

©2014 GRABER MANUFACTURING, INC. ALL PROPRIETARY RIGHTS RESERVED.