



THOMAS STEELE DIVISION

GRABER MANUFACTURING, INC.  
1080 UNIEK DRIVE  
WAUNAKEE, WI 53597

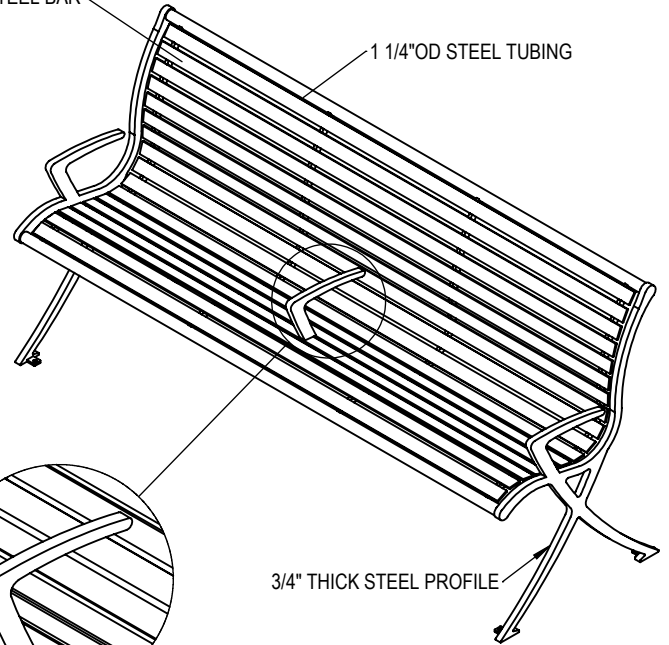
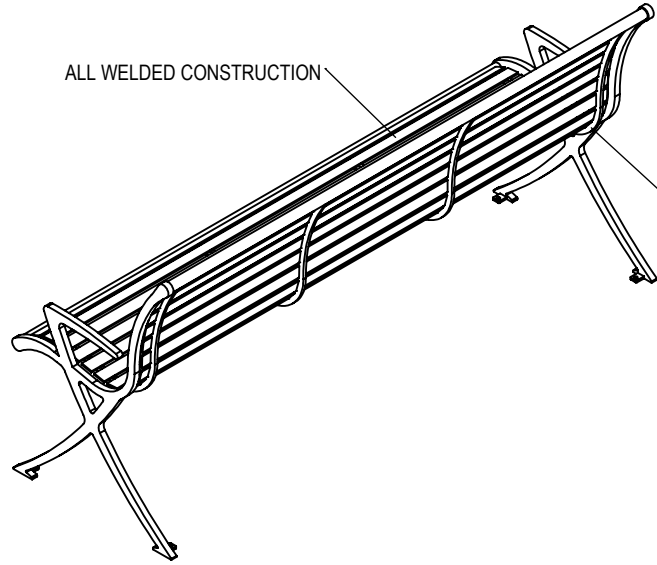
P(800) 448-7931, P(608) 849-1080, F(608) 849-1081  
WWW.MADRAX.COM, E-MAIL: SALES@MADRAX.COM

ALL WELDED CONSTRUCTION

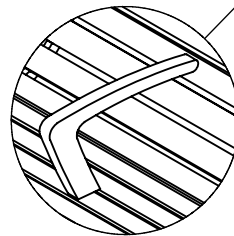
1 1/2 X 3/16" STEEL BAR

1 1/4" OD STEEL TUBING

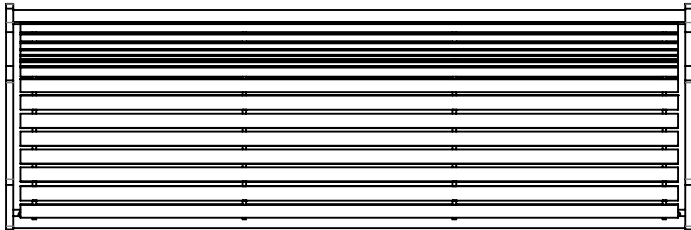
3/8" THICK STEEL



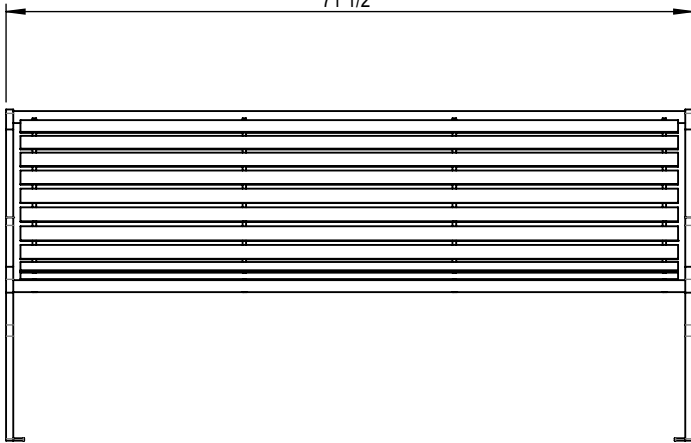
3/4" THICK STEEL PROFILE



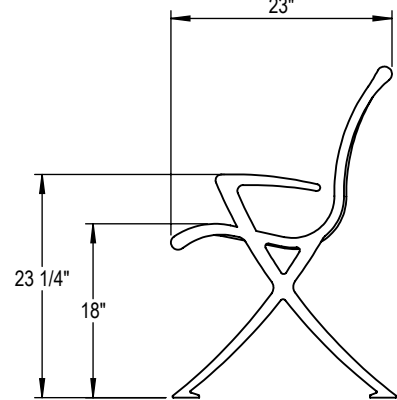
CENTER ARM OPTION



71 1/2"



23"



PRODUCT: ARB-6-HS  
DESCRIPTION: AURORA BENCH, 6 FOOT LONG, HORIZONTAL STRAP

DATE: 10-22-2014  
ENG: BLW

CONFIDENTIAL DRAWING AND INFORMATION IS NOT TO BE COPIED OR DISCLOSED TO OTHERS WITHOUT THE CONSENT OF GRABER MANUFACTURING, INC. SPECIFICATIONS ARE SUBJECT TO CHANGE WITHOUT NOTICE.

SITE FURNISHING IS POWDER COATED WITH TGIC POLYESTER. STEEL SURFACE PREP INCLUDES MECHANICAL AND CHEMICAL ETCHING FOLLOWED WITH A COATING TO IMPROVE ADHESION AND CORROSION RESISTANCE.

©2014 GRABER MANUFACTURING, INC. ALL PROPRIETARY RIGHTS RESERVED.