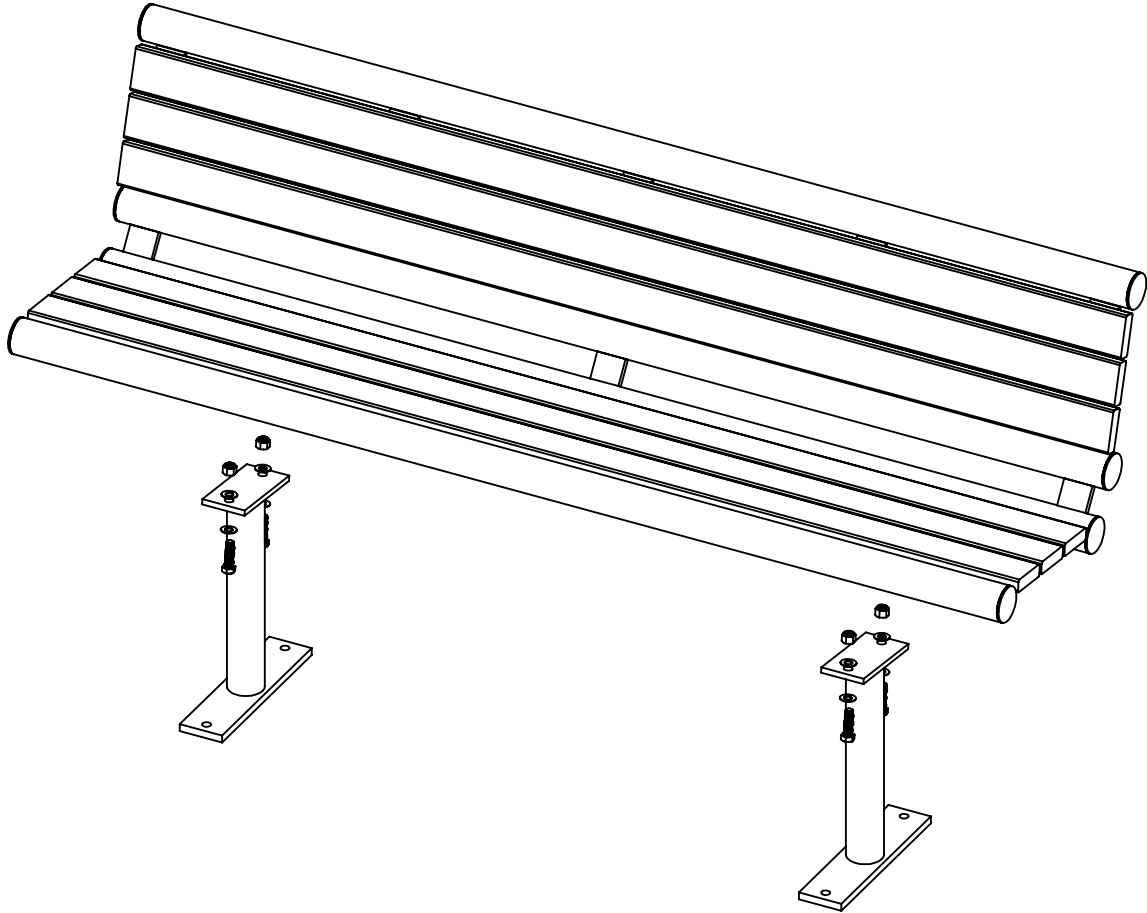




FAIRWAY BACKED BENCH HARDWARE SHEET

ASSEMBLE UPSIDE DOWN ON A
CLEAN SCRATCH FREE SURFACE



ITEM NO.	PART NUMBER	SF/QTY.
1	FAIRWAY BENCH TOP	1
2	FAIRWAY BENCH LEG	2
3	1/2" x 1 3/4" SS Hex Bolt	4
4	1/2" SS Flat Washer	8
5	1/2" SS Lock Nut	4
6	ANTISEIZE	1