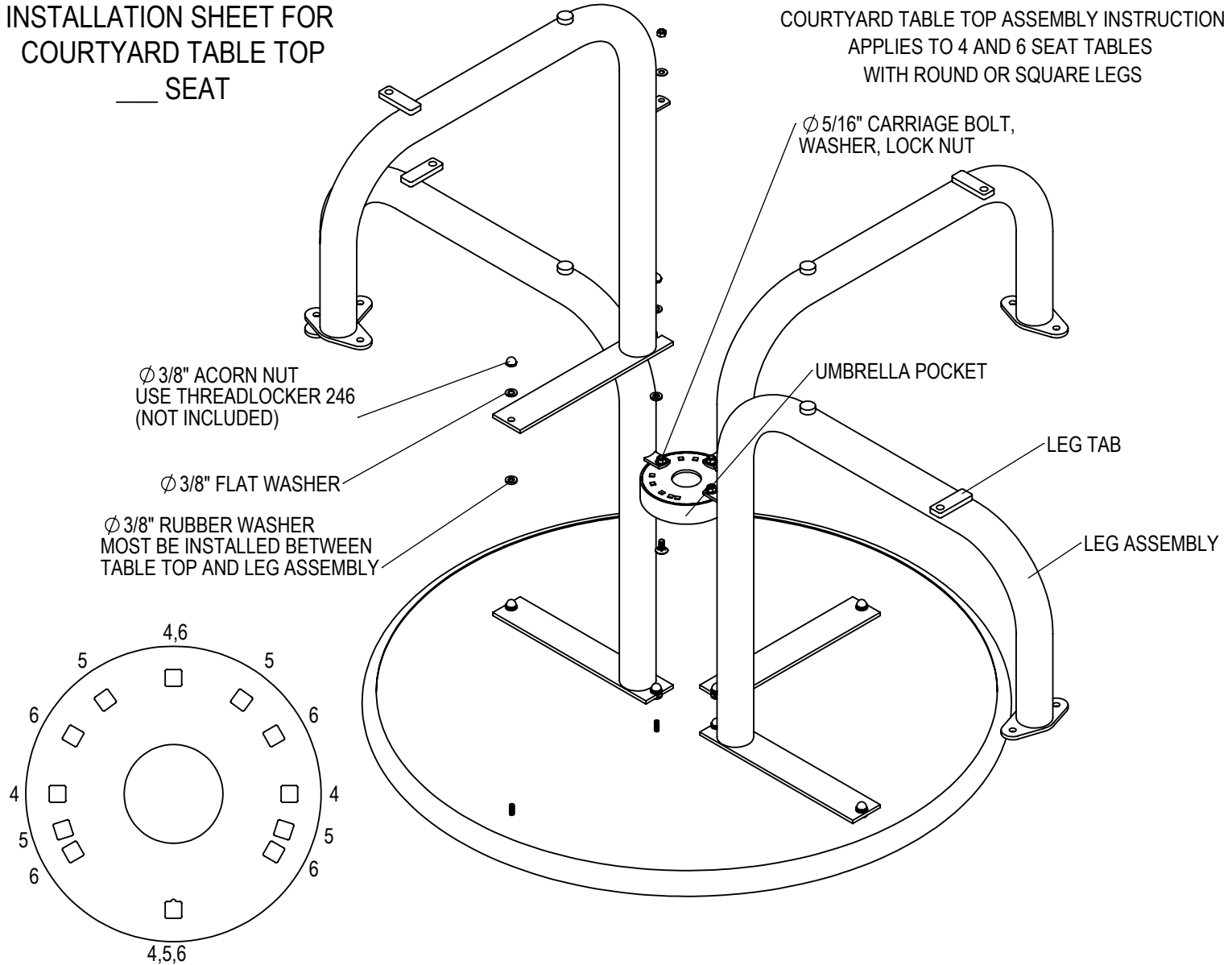


INSTALLATION SHEET FOR
COURTYARD TABLE TOP
___ SEAT

COURTYARD TABLE TOP ASSEMBLY INSTRUCTION
APPLIES TO 4 AND 6 SEAT TABLES
WITH ROUND OR SQUARE LEGS



ALL FASTENERS MUST BE HAND TIGHTENED. DO NOT OVER TORQUE. LEAVE LOOSE UNTIL FULLY ASSEMBLED.

ASSEMBLE UPSIDE DOWN ON A CLEAN SCRATCH FREE SURFACE.

STEP 1: INSTALL THE LEGS ON THE TABLE.

STEP 2: INSTALL THE UMBRELLA POCKET.

STEP 3: FLIP THE TABLE OVER.

STEP 4: INSTALL THE SEATS.

STEP 5: TIGHTEN ALL THE HARDWARE.

DRAWING SHOWN IS OF THE 4 SEAT.

SITE FURNISHING IS POWDER COATED WITH TGIC POLYESTER. STEEL SURFACE PREP INCLUDES MECHANICAL AND CHEMICAL ETCHING FOLLOWED WITH A COATING TO IMPROVE ADHESION AND CORROSION RESISTANCE.

CONFIDENTIAL DRAWING AND INFORMATION IS NOT TO BE COPIED OR DISCLOSED TO OTHERS WITHOUT THE CONSENT OF GRABER MANUFACTURING, INC. SPECIFICATIONS ARE SUBJECT TO CHANGE WITHOUT NOTICE.

©2013 GRABER MANUFACTURING, INC. ALL PROPRIETARY RIGHTS RESERVED.

ITEM NO.	PART NUMBER	QTY. FOR 4 SEAT TABLE	QTY. FOR 6 SEAT TABLE
1	42" ROUND TABLE TOP	1	1
2	UMBRELLA POCKET	1	1
3	COURTYARD TABLE LEG	4	6
4	WASHER NEOPRENE 3/8"	8	12
5	WASHER FLAT 3/8"	8	12
6	NUT ACORN 3/8"	8	12
7	CARRIAGE BOLT 5/16" X 3/4"	4	6
8	WASHER FLAT 5/16"	4	6
9	LOCK NUT 5/16"	4	6



THOMAS STEELE DIVISION

GRABER MANUFACTURING, INC.
1080 UNIEK DRIVE
WAUNAKEE, WI 53597

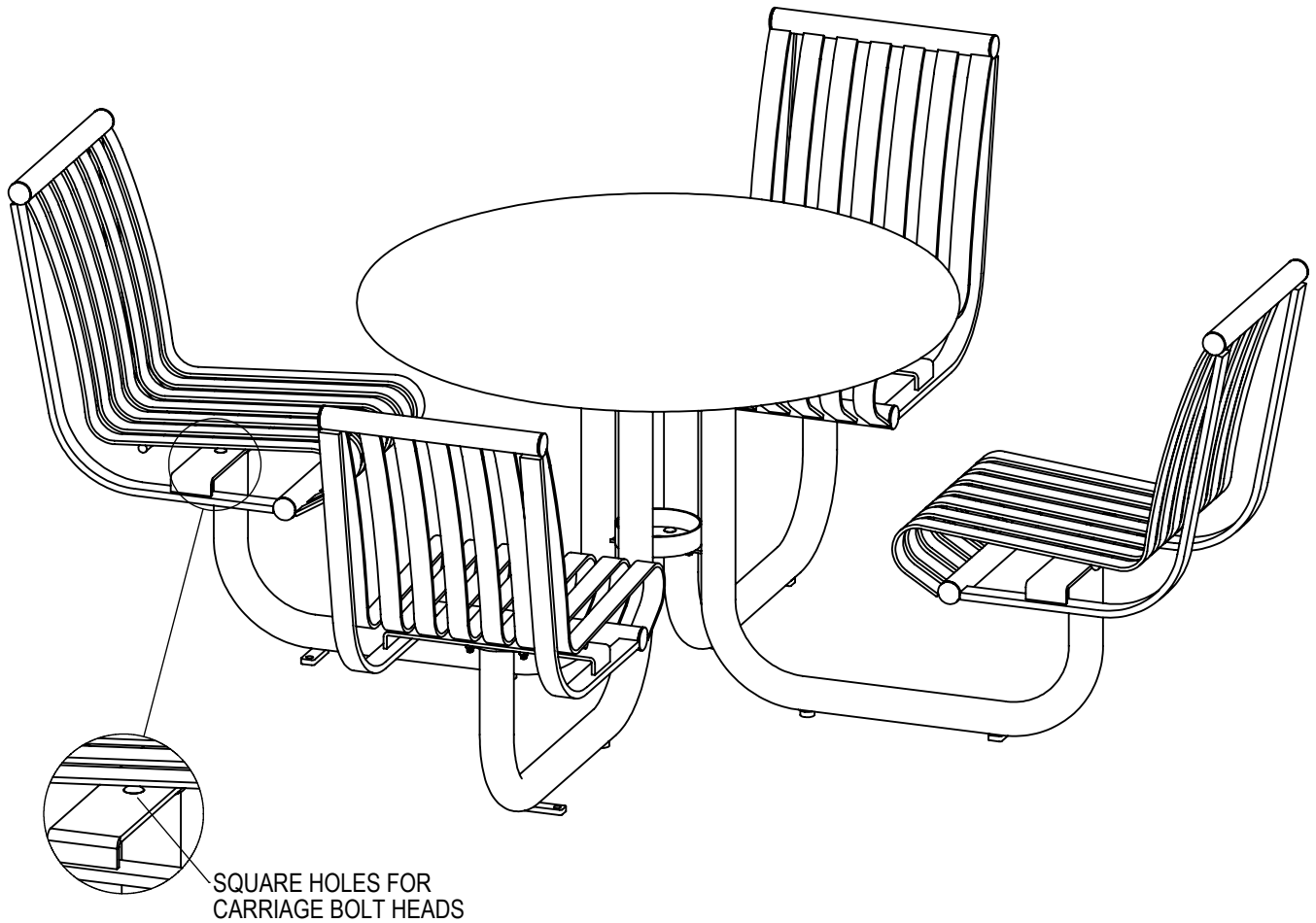
P(800) 448-7931, P(608) 849-1080, F(608) 849-1081
WWW.MADRAX.COM, E-MAIL: SALES@MADRAX.COM

INSTRUCTIONS FOR
COURTYARD SEATS
___ SEATS

COURTYARD TABLE SEAT ASSEMBLY INSTRUCTION
APPLIES TO 3, 4, 5, AND 6 SEAT TABLES
WITH ROUND OR SQUARE LEGS

(SEATING MATERIAL AND TABLE TOP
MAY BE DIFFERENT FROM SHOWN)

LEAVE FASTENERS LOOSE UNTIL FULLY ASSEMBLED.



ITEM NO.	PART NUMBER	QUANTITY FOR 3 SEATS	QUANTITY FOR 4 SEATS	QUANTITY FOR 5 SEATS	QUANTITY FOR 6 SEATS
1	TABLE TOP AND LEGS	1	1	1	1
2	SEATS	3	4	5	6
3	CARRIAGE BOLT 3/8"-16 x 1 1/4"	6	8	10	12
4	3/8" SS FLAT WASHER	6	8	10	12
5	3/8" LOCK NUT	6	8	10	12
6	ANTISEIZE	1	1	1	1

DRAWING SHOWN IS OF 4 CARNIVAL SEATS.

CONFIDENTIAL DRAWING AND INFORMATION IS NOT TO BE COPIED OR DISCLOSED
TO OTHERS WITHOUT THE CONSENT OF GRABER MANUFACTURING, INC.
SPECIFICATIONS ARE SUBJECT TO CHANGE WITHOUT NOTICE.

SITE FURNISHING IS POWDER COATED WITH TGIC POLYESTER.
STEEL SURFACE PREP INCLUDES MECHANICAL AND CHEMICAL
ETCHING FOLLOWED WITH A COATING TO IMPROVE ADHESION
AND CORROSION RESISTANCE.